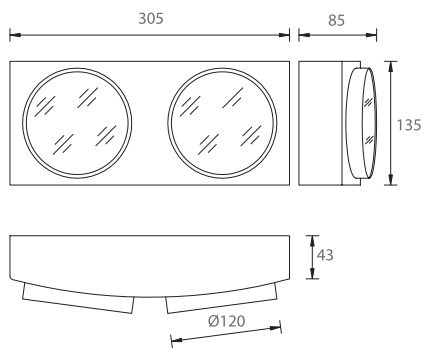




Technical Drawing



Fields of Application



Emergency Surface & recessed Luminaires

Function Specification

Body : Polycarbonate housing & heads
 Mode of operation : Non-maintained
 Mains supply : 220 Volts, 50/60Hz

Parameter

Lamp : 2X3W LED lamp & 2x5W halogen
 Power & Battery : 4.8V1800mAh Ni-Cd batteries pack
 Rated duration : 120 - 180 minutes
 Recharging time : 24 hours
 Test facility : Micro switch
 Charge & Fault LED indicators

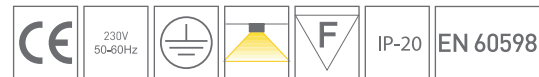
Function Specification

Body : Polycarbonate housing & metal powder coating material
 Mode of operation : Non-maintained
 Mains supply : 220 Volts, 50/60Hz

Parameter

Lamp : 1X3W LED lamp
 Power & Battery : 4.8V1800mAh Ni-Mh batteries pack
 Rated duration : 120 - 180 minutes
 Recharging time : 24 hours
 Test facility : Micro switch
 Charge & Fault LED indicators

Standards of Application



Product Details

Order Code	Power (W)	Working Time	Lamp Type	Dimensions (mm) a b c	Pcs/Pack
CST 110104	6	3 hours	LED	Technical Drawing	8
CST 110105	10	2 hours	LED	Technical Drawing	8
CST 110302	10	2 hours	Halogen	Technical Drawing	8
CST 110106	3	3 hours	LED		12